



MINISTRY OF DEVELOPMENT OF
NORTH EASTERN REGION



Prime Minister's
Development Initiative
for North East Region
(PM-DevINE)

Digital Design and 3D Printing Center of Excellence in the Electronic Manufacturing Cluster (EMC) in collaboration with other Government Agencies located at Tech City, Guwahati

Visit by Hon'ble Chief Minister of Manipur, Shri Yumnam Khemchand Singh at 3D Dental Spoke, Senapati, Manipur



3D digital dental laboratory inaugurated at Senapati

Senapati, April 10: The District Hospital, Senapati marked a significant advancement in public healthcare with the inauguration of a 3D digital dental laboratory by Y. Khemchand Singh chief minister Manipur on April 10. This modern facility introduces digital dentistry into the district, enabling the design and production of dental prosthetics using advanced CAD/CAM and 3D printing technology.

The laboratory has been established under the PM-DevINE Project (Prime Minister's Development Initiative for North East) as part of the Digital Design and 3D Printing Centre of Excellence in the Electronic Manufacturing Cluster (EMC), in collaboration with various government agencies located at Tech City, Guwahati.

The project has been funded by the Ministry for Development of North Eastern Region (DoNER), Government of India, and implemented by AMTRON, Guwahati. This initiative was also spearheaded by Dr. Lohrii S. Pfoze, former Member of Parliament and President of the NPP.

The establishment of this facility marks a major step toward improving dental healthcare services in Senapati and surrounding regions. Previously, patients often faced long waiting periods or had to travel to distant cities for dental prosthetics such as crowns, dentures, and aligners. With the introduction of the 3D Dental Laboratory, these services can now be delivered locally with greater efficiency and precision.

The laboratory enables accurate digital scanning, customized design, and rapid fabrication of dental appliances, ensuring better fitting and improved patient comfort. It also supports advanced dental procedures, enhancing the overall quality of care.

From a public perspective, the 3D Dental Laboratory will significantly reduce treatment time and cost, making advanced dental care more accessible and affordable. It will minimize patient inconvenience and contribute to improved oral health outcomes across the district.

Overall, this initiative not only strengthens healthcare infrastructure but also creates awareness about modern dental technologies, encouraging the public to seek timely and effective dental treatment.

(Contd. on P.3)

SATURDAY 11 APRIL 2026

(Cont. from P.1)

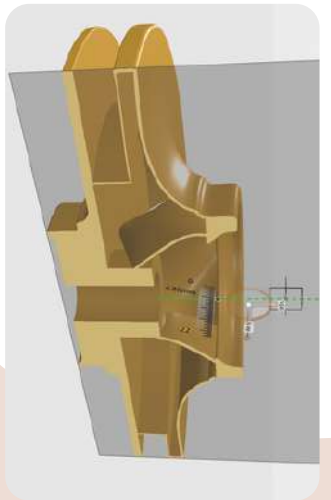
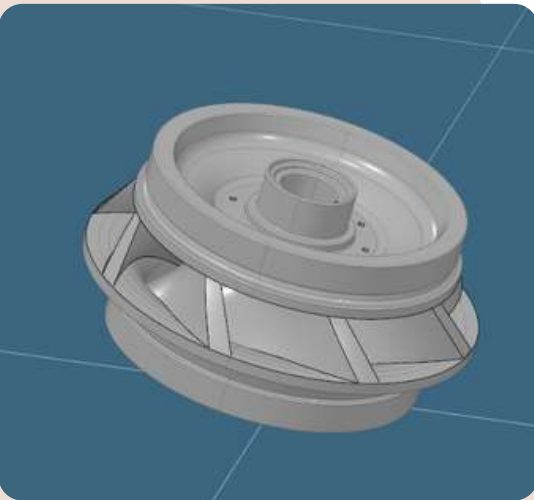
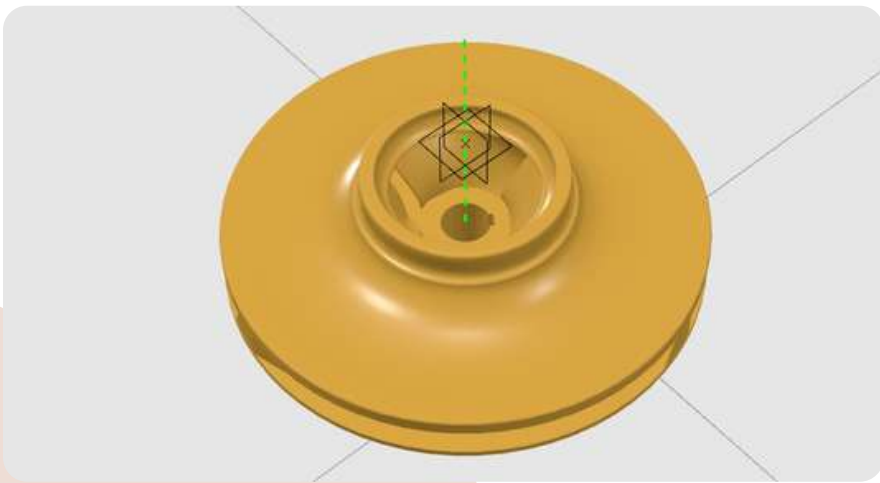
3D digital dental laboratory inaugurated at Senapati

(Contd. on P.3)

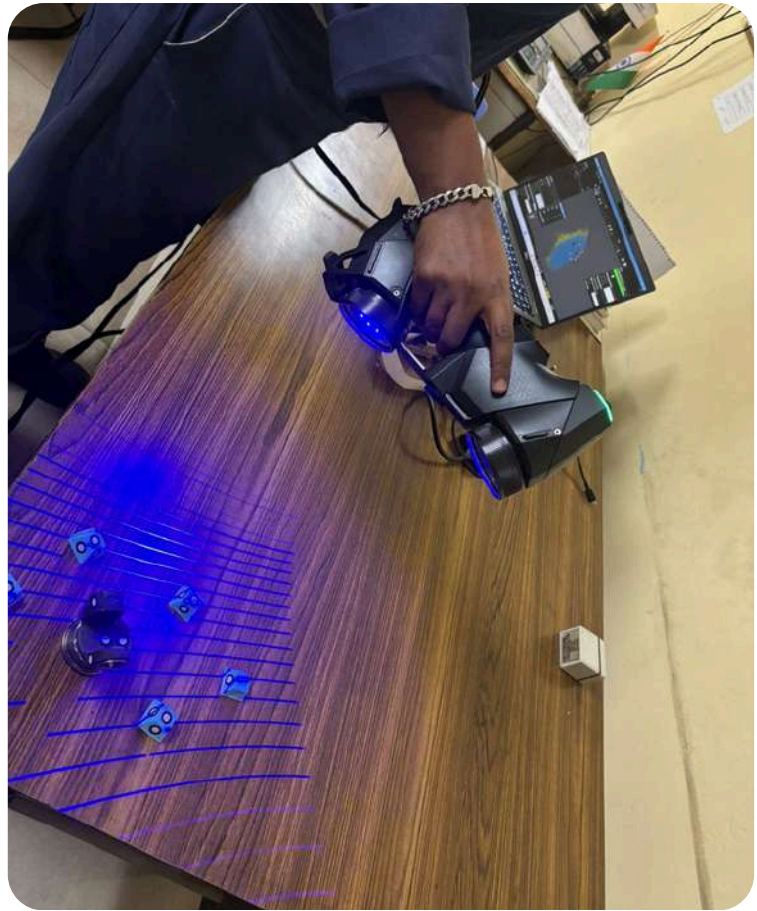




Digitisation & 3D Printing of Refinery Spares for NRL



Digitization of Spare Parts through 3D Scanning at Indian Oil Corporation Limited



3D Dental Spoke at Naga Hospital Authority, Kohima, Nagaland



Kohima, Nagaland, India 🇮🇳
M39w+q92, Hospital Colony, Kohima, Nagaland
797001, India
Lat 25.669724° Long 94.096038°
Monday, 06/04/2026 08:54 AM GMT +05:30



Kohima, Nagaland, India 🇮🇳
M39w+q92, Hospital Colony, Kohima, Nagaland
797001, India
Lat 25.669724° Long 94.096038°
Monday, 06/04/2026 08:54 AM GMT +05:30

3D Dental Spoke at Agartala Government Dental College, Agartala, Tripura



Agartala, Tripura, India 🇮🇳
Chowmuhani, Ak Road, Pragati Rd, Krishna
Nagar, Agartala, Tripura 799001, India
Lat 23.831368° Long 91.276331°



Agartala, Tripura, India 🇮🇳
Chowmuhani, Ak Road, Pragati Rd, Krishna
Nagar, Agartala, Tripura 799001, India
Lat 23.831368° Long 91.276331°

3D Dental Spoke at District Hospital, Gyalshing, Sikkim



mappls.com/on5e65
Hospital Road,
Gyalshing, Sikkim
27°17'28.8"N 88°15'25.0"E



mappls.com/on5e65
Hospital Road,
Gyalshing, Sikkim
27°17'28.8"N 88°15'25.0"E

Visit by students under the Ashtalakshmi Darshan Youth Exchange Programme at 3D Printing Spoke, Assam University, Silchar



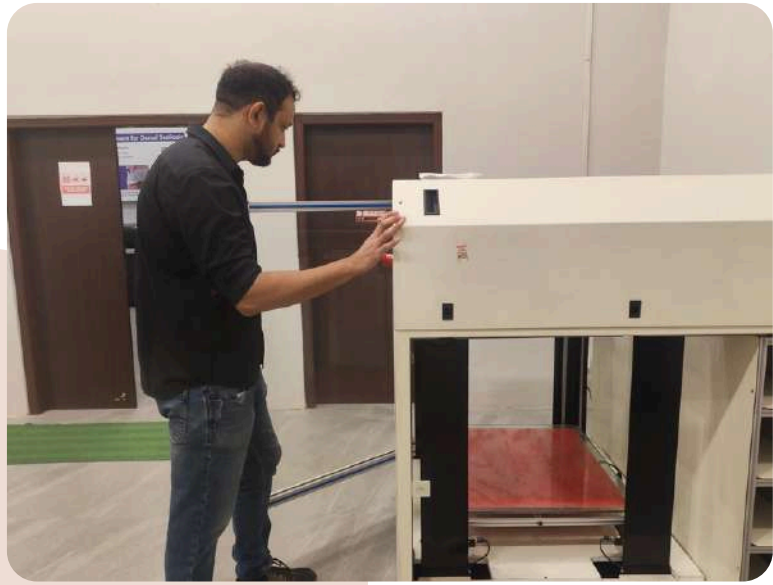


Visit by Hindustan Copper Limited officials at 3DP CoE, Tech City, Guwahati





Summer Internship of Indian Institute of Management Shillong Students at 3D Printing Centre of Excellence, Guwahati





Visit by Officials from the Indian Army at 3D Printing Centre of Excellence, Tech City, Guwahati

